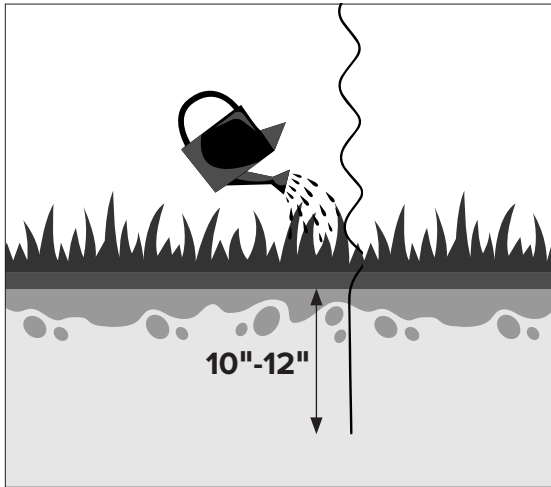
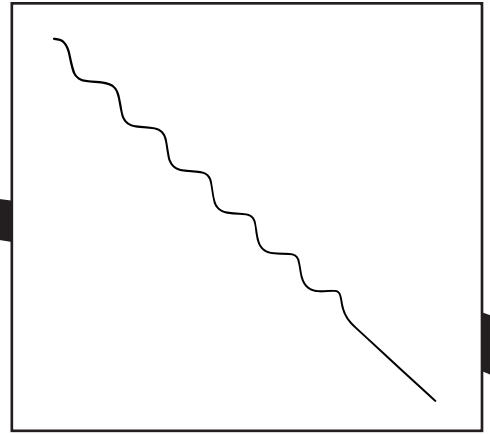


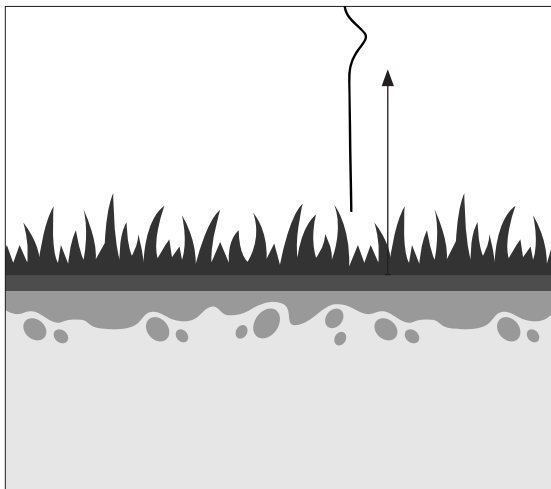
# TOMATO TWIST

## INSTRUCTION SHEET



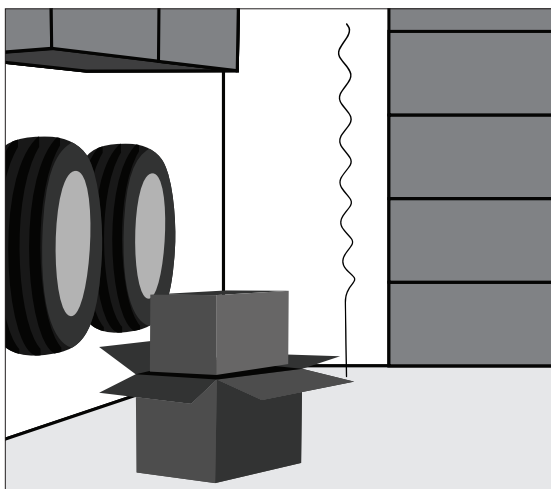
### Step 1

Place your Tomato Twists, several inches into the soil. If tomato plant has already been planted, be sure to avoid damaging the plant's roots. If the soil is hard pour some water over it. This will soften it and make it easier for installations.



### Step 2

When the growing season is over, gently pull out the Tomato Twists.



### Step 3

Store the pieces in a dry indoor spot to ensure season after season use.