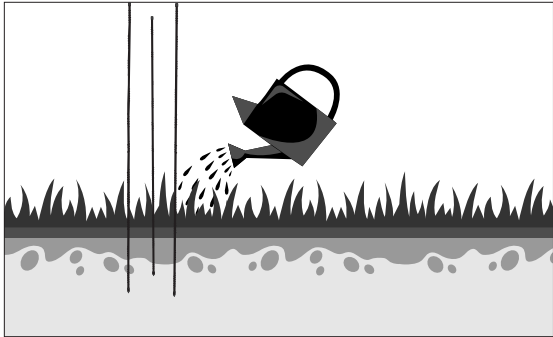
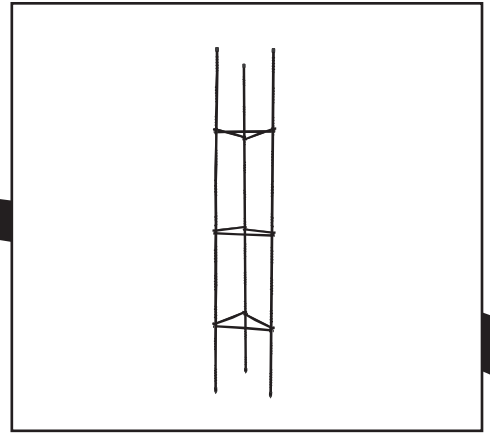


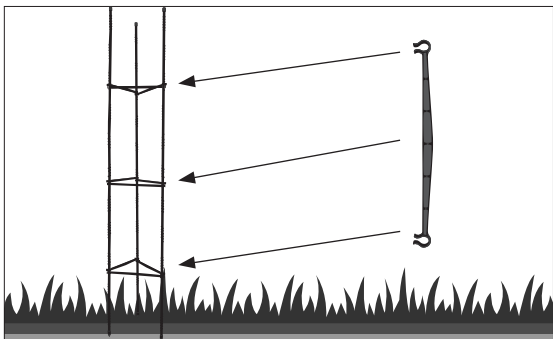
ULTOMATO

INSTRUCTION SHEET



Step 1

Take the three Ultomato five foot stakes and push them into the soil so that they surround your tomato plant. If the soil is tough pour some water over it to soften it and make it easier for installation.



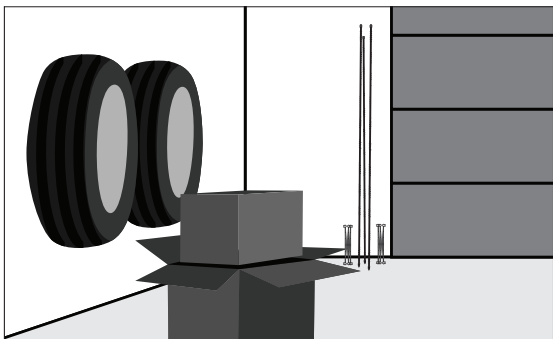
Step 2

Next add your nine stake arms and click them into place on your three Ultomato stakes. Position the arms based on your preference. Some gardeners find they hold tighter if they are placed on the inside. Other gardeners prefer to place the arms on the outside so they can move and adjust them more easily.



Step 3

As your tomato plant grows, feel free to adjust the arms based on the support you are trying to achieve.



Step 4

When the growing season is over, simply unsnap the arms and gently pull out the stakes. Store the Ultomato pieces in a dry indoor spot to ensure season after season use.